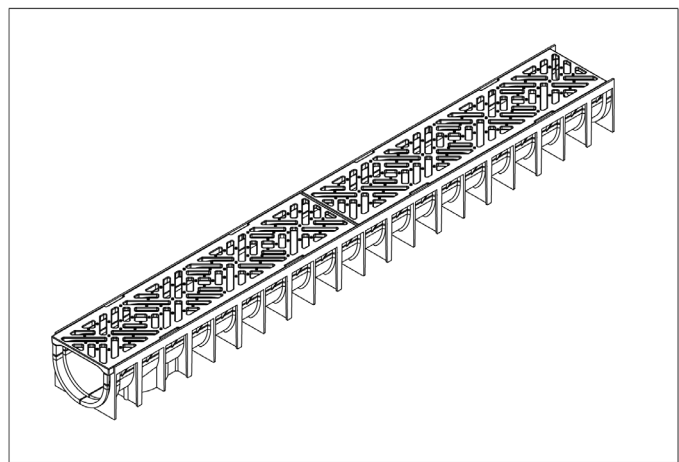
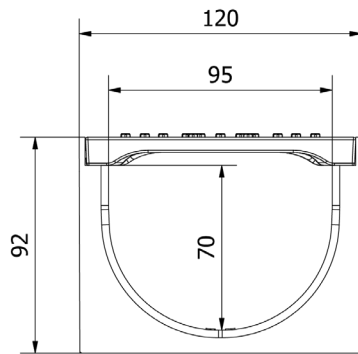
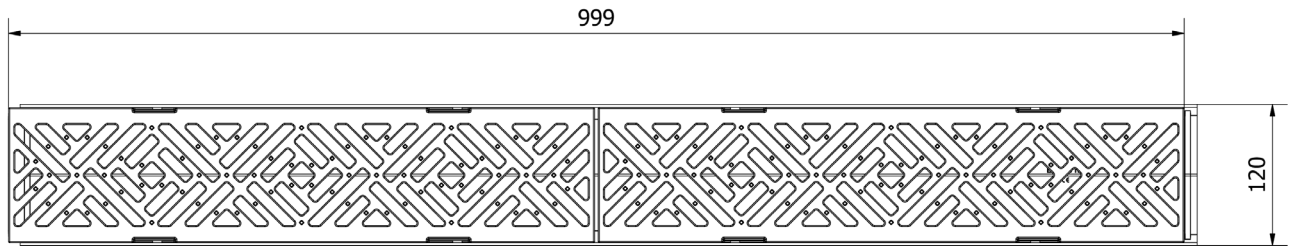


**MUFLE 4ALL H92** combined with  
**Ductile iron BROOKLYN grating**

**Black: 613035**  
**Grey: 613047**



## Dimensions and features

<b>Length (mm)</b>	1000
<b>Width External/Internal (mm)</b>	120 / 95
<b>Height External/Internal (mm)</b>	92 / 70
<b>Outlets</b>	Vertical outlet Ø110 / Ø75
<b>Channel body material</b>	PP-PE
<b>Frame</b>	integrated
<b>Grating material</b>	Ductile iron
<b>Grating slot dimension (mm)</b>	Slot 8mm
<b>Grating surface finishing</b>	Black paint
<b>Weight (Kg)</b>	5,55
<b>Resistance (Norm EN1433)</b>	B 125

Dimensions and weights are subjected to the tolerances of the manufacturing.  
The products have to be installed according to ACO's installation manual.